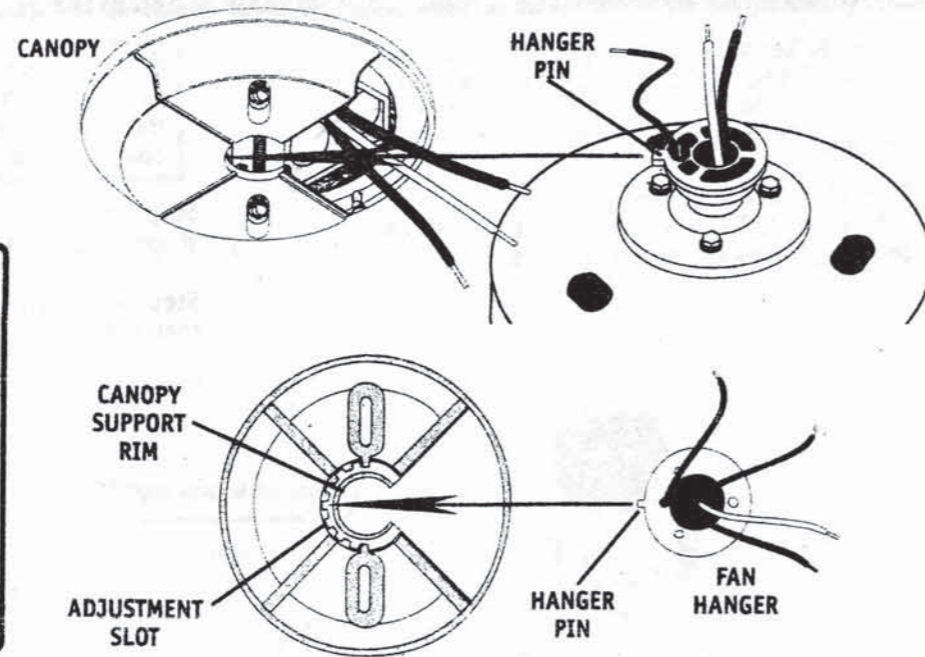


HANGING THE FAN

Step 6. Carefully lift the fan body up to the canopy and insert the LCA fan hanger into the canopy opening so that the hanger pin goes in first and fits into one of the seven adjustment slots in the upper surface of the canopy support rim.

Note: Fan orientation: By repositioning the fan hanger pin in one of the seven canopy slots, the fans' orientation may be adjusted. (For better alignment of lights if you have a light fixture on this fan.) Carefully lift the fan body upward and while holding it in this position, rotate the fan body to right or left. Lower the fan until the hanger rests in the canopy with the hanger pin fitting into the desired adjustment slot.



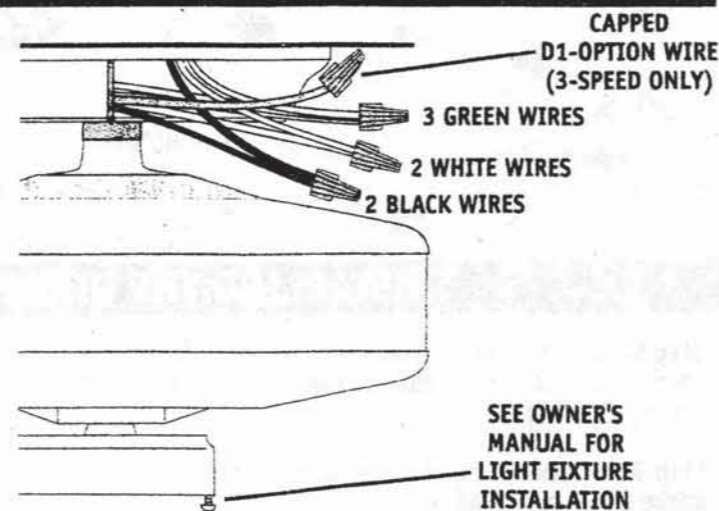
ELECTRICAL CONNECTIONS

NOTICE! Consult your Fan Owner's Manual for actual electrical connections that apply to your model. This description is for example only!

Step 7. Attach the fan wires to the ceiling fixture outlet box wiring by twisting the bare ends of the wires together and then securing with a wire nut. Connect in this order:

- GREEN leads from mounting plate and fan to GROUND conductor of power source. Secure with wire nut.
- WHITE wire from fan to white NEUTRAL wire in ceiling fixture outlet box. Secure with wire nut.
- BLACK wire from fan to black (or red) POWER wire in ceiling fixture outlet box. Secure with wire nut.

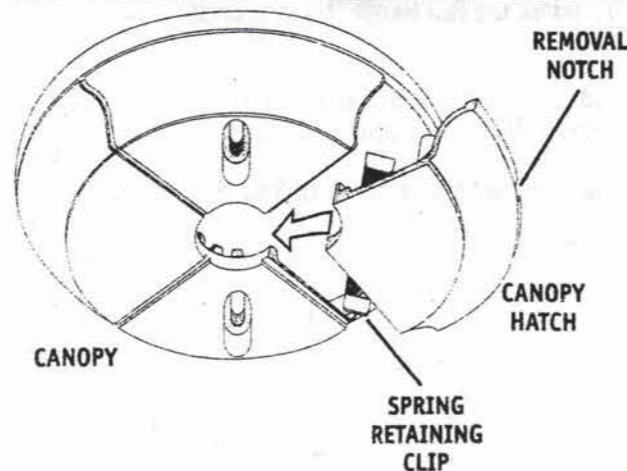
Test that each splice is secure by pulling on the wire nut.



COMPLETING INSTALLATION

Step 8. Tuck the wires into the canopy with wire nuts pointed upward, so that the white and black wires are on opposite sides of the canopy opening. Then install canopy hatch. To do this, insert the point of the hatch and the spring retaining clip through the canopy opening so that the clip ends rest on the inner surface of the canopy. Push the top outer rim of the hatch upward and while holding the hatch in this position, push it inward toward the center of the canopy until it snaps into place.

NOTE! Installation of the LCA is complete. Return to your Owner's Manual for instructions to complete installation.



READ AND SAVE THESE INSTRUCTIONS

LCA LOW CEILING ADAPTOR INSTALLATION INSTRUCTIONS



Avoid possible electrical shock.

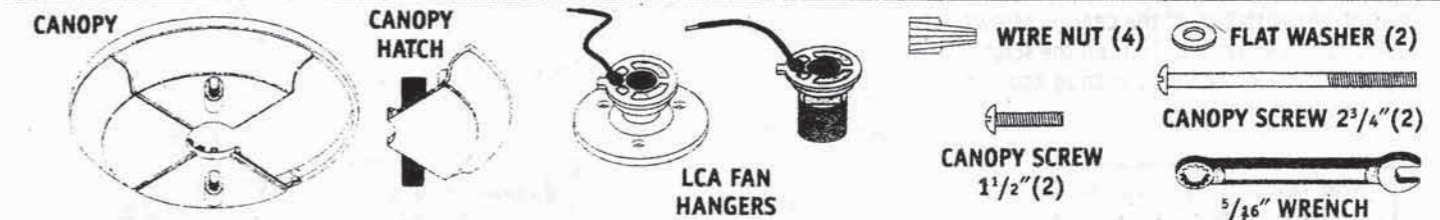
WARNING

Make certain that electricity is turned off at the circuit breaker or fuse box before attempting any installation procedure.

All wiring must be in accordance with the National Electric Code ANSI/NFPA 70-1993 and the appropriate local electrical codes. The National Electric Code requires proper grounding as a precaution against electrical shock. A qualified electrician should be consulted if you are unsure.

NOTE: Because of limited blade clearance, the LCA may not be installed on a sloped ceiling. Mount on a level flat ceiling only.

LCA LOW CEILING ADAPTOR HARDWARE



REMOVING THE EXISTING HANGING SYSTEM

CAUTION: Make certain that the electricity is turned off at the circuit breaker or fuse box before attempting the installation.

Step 1a. After the power is turned off remove the canopy hatch by unscrewing the appropriate canopy screw. (Figure 1)

Step 1b. Remove the wirenuts by unscrewing them and separate the fan wires from the ceiling outlet box wires.

Step 1c. If the fan is equipped with a light fixture, remove the light fixture (please refer to the installation instructions that came with the light fixture).

Step 1d. Remove the fan blades and holders by unscrewing the screws on the flywheel and place the screws in a safe location.

Step 1e. Carefully lift the fan body and pass the ball assembly through the upper part of the canopy opening.

Step 1f. Unscrew the three remaining screws in the canopy. The screws and canopy will not be reused. (Figure 2)

Step 1g. Unscrew the two crossbar mounting bracket screws and remove the mounting bracket. The mounting bracket and screws will not be used again. (Figure 3)

Figure 1

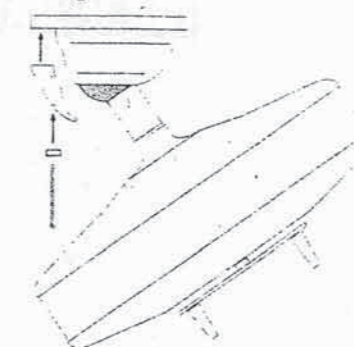


Figure 2

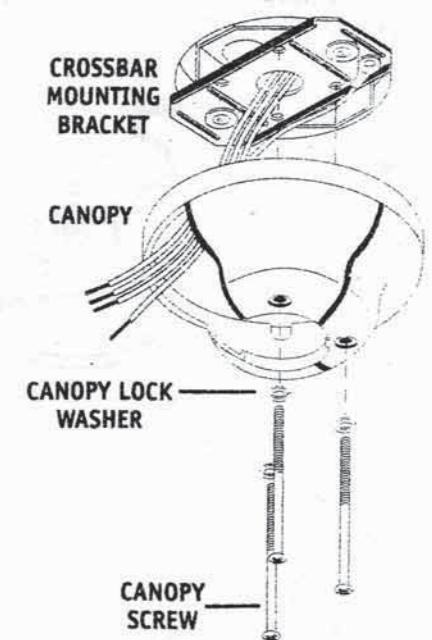
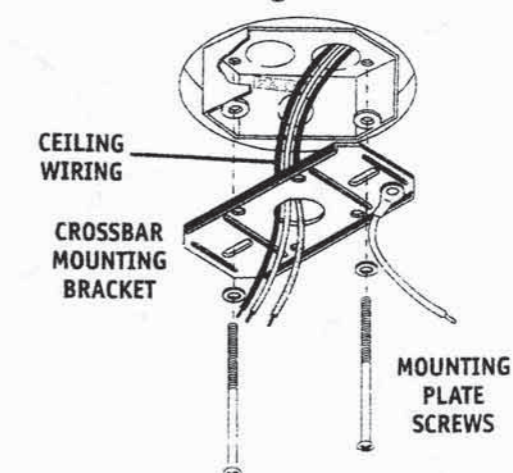


Figure 3

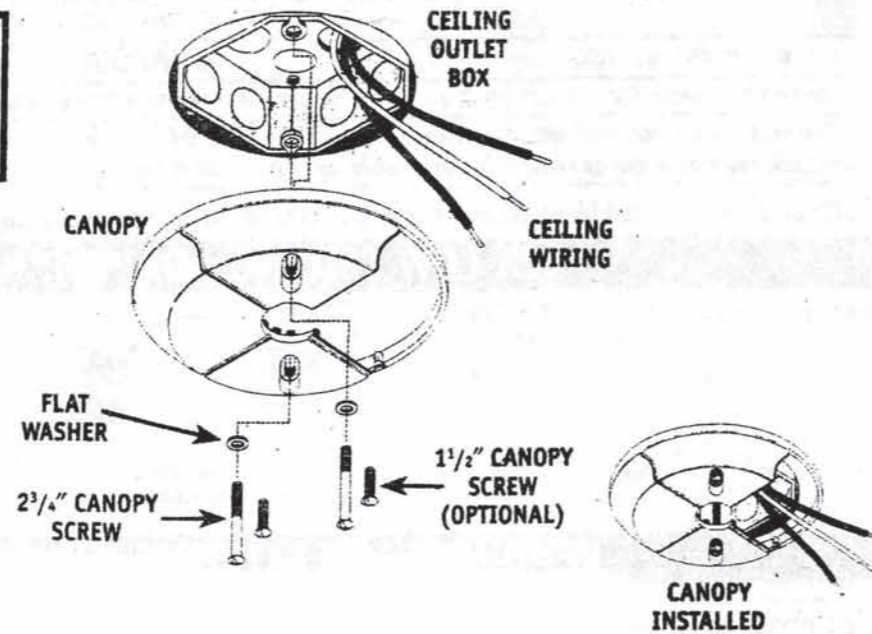


INSTALLING THE LCA CANOPY

CAUTION: To reduce the risk of fire, electric shock or personal injury, mount to outlet box marked acceptable for fan support and use the mounting screws provided with the outlet box.

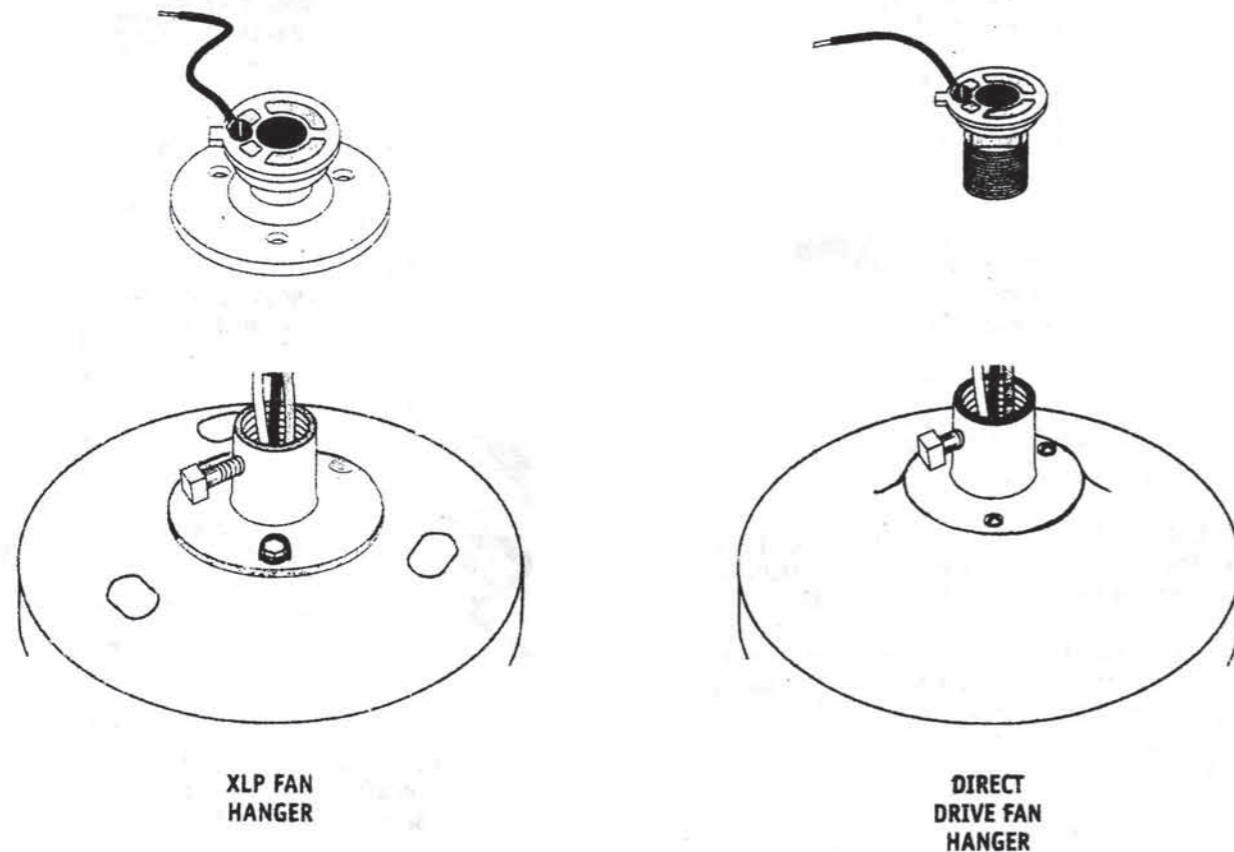
Step 2. Route the wires from the ceiling outlet box through the canopy opening. Attach the LCA canopy to the ceiling outlet box with two of the canopy screws and washers provided. Tighten the screws by hand until the canopy is snug against the ceiling.

Note: Two lengths of canopy screws are included for your convenience.



LCA FAN ADAPTOR INSTALLATION

Step 3. There is a fan hanger for each of the Casablanca motors. The XLP fan hanger and the Direct Drive fan hanger. Please identify which one you shall need with your fan.



INSTALLING THE XLP FAN HANGER

Step 4a. Remove the three (3) $\frac{5}{16}$ " bolts (with the enclosed wrench) that hold the motor coupling to the fan motor. Set these bolts aside as they will be used in the next step.

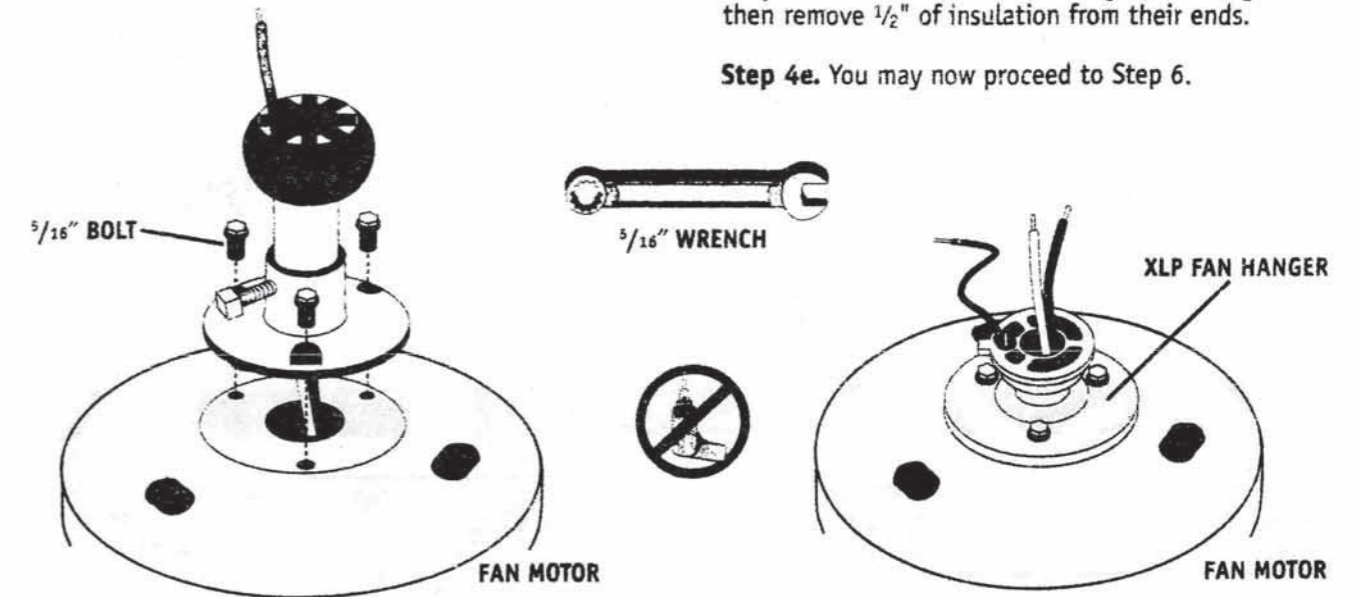
Step 4b. Route the fan wires through the center hole of the XLP Fan Hanger and install with the three $\frac{5}{16}$ " bolts removed in Step 4a.

CAUTION: Before tightening the bolts, assure that the wiring under the XLP Fan Hanger is not pinched between the motor body and the Fan Hanger.

Step 4c. Tighten each bolt carefully to avoid stripping the threads.

Step 4d. Cut the fan wires so they are 6" long, then remove $\frac{1}{2}$ " of insulation from their ends.

Step 4e. You may now proceed to Step 6.



INSTALLING THE DIRECT DRIVE FAN HANGER

Step 5a. Unscrew the bolt/set screw in the motor coupling so that the threads in the center hole are clear from the bolt.

Step 5b. Route the fan wires through the center of the Direct Drive Fan Hanger.

Step 5c. Screw the Fan Hanger into the motor coupling until it is tight. Tighten the bolt/set screw against the Fan Hanger threads until very tight.

Step 5d. Cut the fan wires so they are 6" long, then remove $\frac{1}{2}$ " of insulation from their ends.

Step 5e. You may now proceed to Step 6.

